



LIBERTY OFFER

THE CHOICE IS YOURS !

35% to 50% OFF

PAY IN 1 OR 2 INSTALLMENTS*

– UNTIL 31 JANUARY –



LIBERTY OFFER

THE CHOICE IS YOURS !

CALENDAR

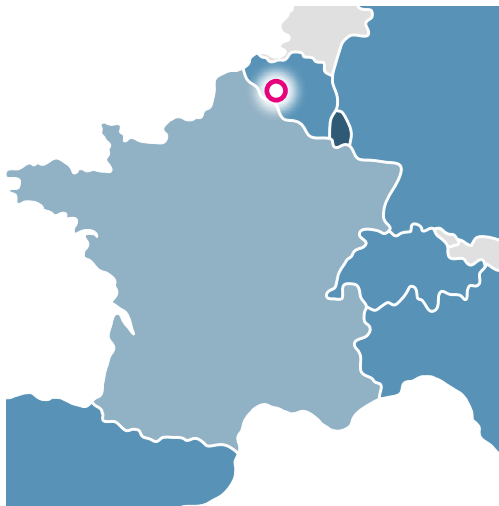
PARIS	23>25 January 2026
TOULOUSE	13>15 February 2026
NANTES	06>08 March 2026
REIMS	13>15 March 2026
STRASBOURG	27>29 March 2026
MILAN <i>(Italy)</i>	10>12 April 2026
LUXEMBOURG ART FAIR <i>(Luxembourg)</i> <small>RESERVED FOR GALLERIES ONLY</small>	16>19 April 2026
LYON	24>26 April 2026
NEW LAUSANNE <i>(Switzerland)</i>	07>10 May 2026
LAUSANNE ART FAIR <i>(Switzerland)</i> <small>RESERVED FOR GALLERIES ONLY</small>	07>10 May 2026
DORTMUND <i>(Germany)</i>	22>24 May 2026
COURTRAI <i>(Belgium)</i>	29>31 May 2026
ZURICH <i>(Switzerland)</i>	12>14 June 2026
MONACO	18>20 September 2026
PARIS	25>27 September 2026
LUXEMBOURG <i>(Luxembourg)</i>	02>04 October 2026
HAUTE-SAVOIE	09>11 October 2026
MARSEILLE	23>25 October 2026
MULHOUSE	06>08 November 2026
BRUSSELS <i>(Belgium)</i>	20>22 November 2026
BORDEAUX	04>06 December 2026
NEW NORD <i>DOUAI - LILLE - LENS - TOURNAI</i>	05>07 February 2027
BARCELONA <i>(Spain)</i>	Date to come

BRUSSELS



art3f.
international contemporary art fair

20>22 Nov. 2026



After the growing success of the first editions, art3f Brussels has become **THE** show not to be missed for you - artist or gallery - who wish to **SELL** and **DEVELOP YOUR CUSTOMER PORTFOLIO**.

■ **A DYNAMIC MARKET**

International, multicultural and cosmopolitan, the city of Brussels is today one of the most exciting centres of creativity on the contemporary art scene, both in terms of its opportunities and the richness and diversity of its art education. The expertise and power of its major collectors, the appetite of Belgians for contemporary art, their strong reactivity in acquiring works of art, their curiosity and their attraction for young artists are all signs of the dynamism of a capital city at the crossroads of European art.

■ **MANY COLLECTORS**

Belgian collectors are a very demanding clientele and currently the most dynamic in Europe. Exhibiting in Brussels means opening up to the northern market !

■ **NEW EUROPEAN CENTRE FOR CONTEMPORARY ART**

Like Berlin, Brussels is in vogue today for its cultural influence, its ideal geographical location and the strength and vitality of its art market.

■ **A PERFECT DATE**

Statistically, November is the best month of the year for trade fairs of all kinds. An ideal event just a few weeks before Christmas.

■ **AN ATTRACTIVE TAX SYSTEM**

The absence of wealth tax, the non-taxation of capital gains on private cultural assets and the very low taxation of inheritance and donations make Belgium a unique breeding ground for the contemporary art market. For these reasons, the flat country has attracted a number of wealthy collectors in recent years who are now very active on the art market.



www.art3f.com





LIBERTY OFFER

THE CHOICE IS YOURS !

EXHIBITOR PARTICIPATION CONTRACT

This registration file is submitted to the art3f selection committee. This artistic committee is responsible for ensuring the global quality of the works presented and the prestige of the event. The artistic committee's remit is not to produce art works but to ensure the credibility of the event through its choices. For this reason, the committee will not enter into correspondence to justify refusals.
 Caution : Sub-location rentals to artists is strictly prohibited.



PAINTER SCULPTOR CERAMIST PHOTOGRAPH

20 > 22 Nov. 2026
Brussels Expo
 Heysel

Friday 4pm-10pm
 Saturday 10am-8pm
 Sunday 10am-7pm

SUBMITTING YOUR FOLDER

By email to :
info@art3f.com

By postal mail to :
art3f
BP2271
68068 Mulhouse Cedex
France

For artists :

A CV, a biography, your artistic journey, latest exhibitions, 5 photos of works stating your name, the title of the work and the format.

For gallery owners :

An information sheet on your gallery, latest exhibitions, 1 photo of a work for each artist represented.

Once your application has been validated and accepted by the artistic committee, payment must be made according to the option chosen on page 3.

ARTIST

Name : First name :

Artist name :

Address :

Post code : Town :

Country : Telephone :

Mobile phone : Email :

Website :

Compulsory information :

Maison des artistes, affiliation n° : SIRET :

VAT-number :

GALLERY OWNER

Name of the gallery :

Name, First name of manager :

Address :

Post code : Town :

Country : Telephone :

Mobile phone : Email :

Website :

Compulsory information :

Registration n° : VAT-number :

Number of artists represented on the stand :

Name of artists	Their artistic discipline(s)
.....
.....
.....
.....
.....
.....
.....
.....
.....
.....
.....
.....

LIBERTY OFFER

THE CHOICE IS YOURS !



YOUR STAND

The price per sqm comprises wooden partitions covered with brushed white cotton, 1 x 300w spotlight for 3sqm.

Warning ! To avoid errors, please complete all the form's fields.

If you want an electric box for your personal use (card machine, laptop, phone...), please tick the «electric box» option.

A. THE STRUCTURE

Price per sqm excluding tax : 210 €	
Stand of sqm x 210 € (minimum 9 for an artist, 18 for a gallery) €
Corner: 350 € per corner x (1, 2, 3 ou 4 corners) <input type="checkbox"/> closed <input type="checkbox"/> open €
Total A € excl tax

B. COMPULSORY FEES

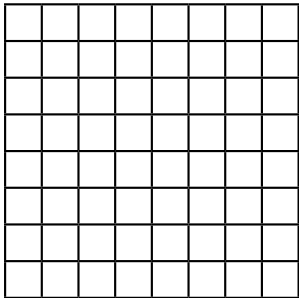
Badges (2 for an artist, 4 for a gallery) 1 catalog, One full-colour page in our catalog, Invitations for 2 people, Insurance (legal liability).	
Total B	450 € excl tax

C. ADDITIONAL OPTIONS

Brushed cotton : <input type="checkbox"/> white for free or <input type="checkbox"/> black €190 or <input type="checkbox"/> grey €190 €
Partition 1m : € 110 excl. tax x €
Single laminated cupboard door, white : € 370 excl. tax x €
Curtain 1m wide : € 80 excl. tax x €
Extra 300w spotlight : € 90 excl. tax x €
Mesh 20€ the ml (to fix spots out of partitions) + post 50€ (according to config.)	Consult us
Electric box 1KW : 320 € €
Brushed cotton roof lining per sqm : € 35 excl. tax x €
Additional page in the catalog : € 210 x €
Additional badge : € 35 x
Total C € excl tax

YOUR DESIRED STAND PLAN

— = 1 meter



- PRICE VALID ONLY IF THE CONTRACT IS RETURNED SIGNED AND COMPLETED
- APPLICATIONS PROCESSED IN THE ORDER OF ARRIVAL
- WITHIN THE LIMITS OF THE AVAILABLE STANDS ALLOCATED TO THE OFFER
- ANY OPTION ADDED SUBSEQUENTLY WILL BE INVOICED AT THE NORMAL RATE

SUMMARY OF YOUR ORDER

Total = Total A + Total B (€ 450) + Total C € excl tax
---	------------------

AMOUNT TO CARRY FORWARD TO PAGE 3

LIBERTY OFFER

THE CHOICE IS YOURS !

Indicate the option chosen :

-50%

#1

A one-time payment

(upon receipt of invoice)

Enter the total from page 2

..... € Excl. tax
x 0,50 (50% discount)
..... € Excl. tax
+ VAT 20%
..... €
..... € Incl. tax

-35%

#2

A payment in 2 installments

50% at signing
and the balance no later than 1 month before the fair

Enter the total from page 2

..... € Excl. tax
x 0,65 (35% discount)
..... € Excl. tax
+ VAT 20%
..... €
..... € Incl. tax

Payment method :

- By cheque made out to art3f
- By card : <https://pay-pro.monetico.fr/art3f/paiement>
- Bank transfer
IBAN : FR76 3008 7332 8100 0208 6400 146 BIC / SWIFT : CMCIFRPP

I have read the fair regulations below and agree to respect them without reservations.

Name :

Date :

Signature and stamp :

Completed folder to be sent to :

either by email : info@art3f.com

or by post : art3f - BP2271 - 68068 Mulhouse Cedex - France

Registration folders will not be returned, even in the event of a refusal.

For more information, call art3f on : +33 (0)3 89 59 02 40 or contact by email : info@art3f.com

LIBERTY OFFER

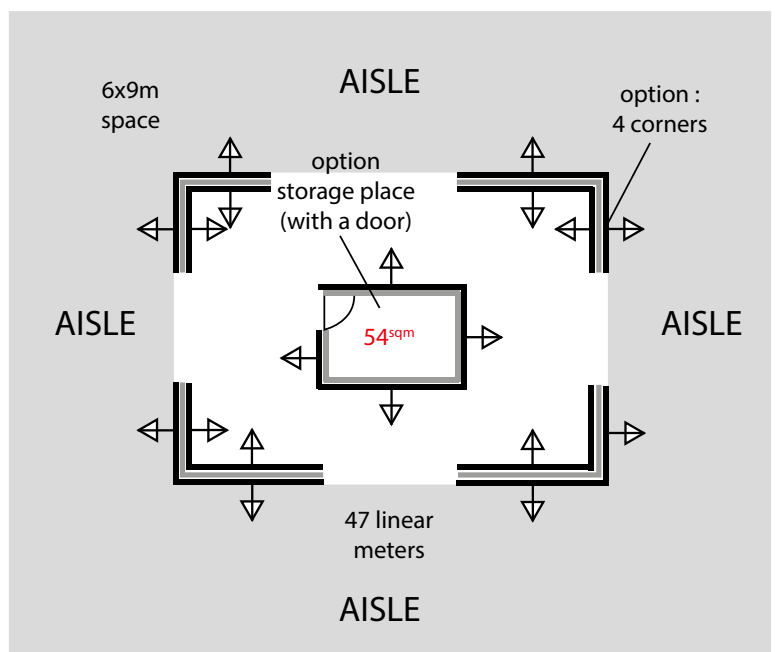
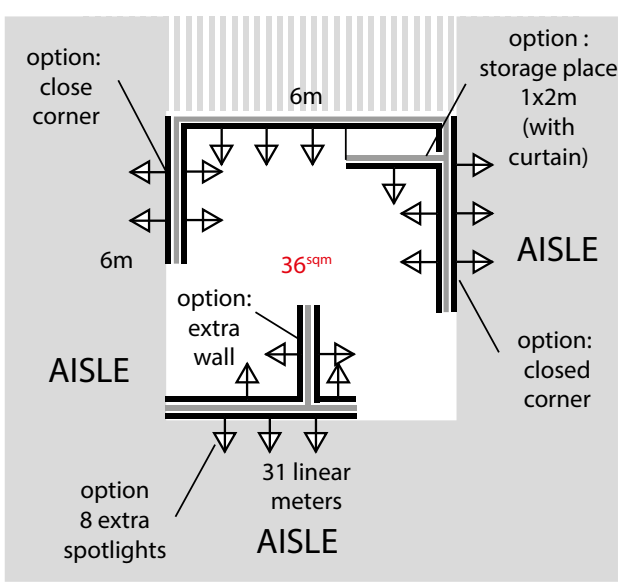
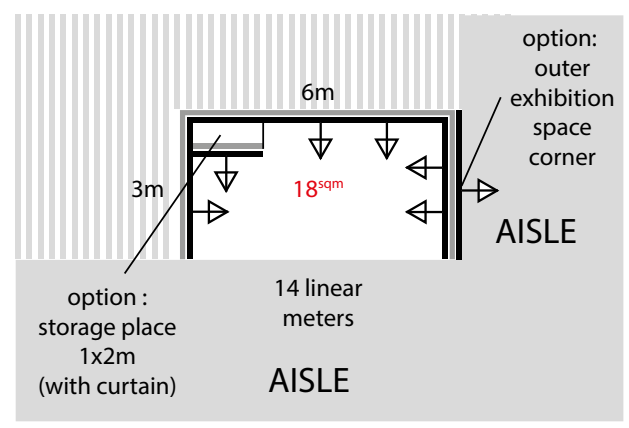
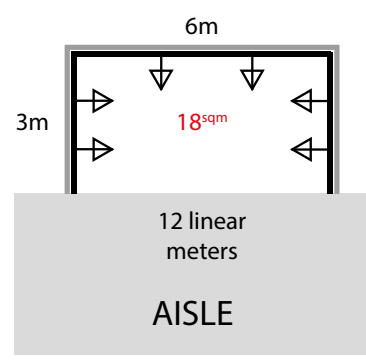
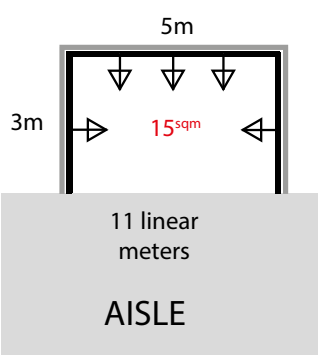
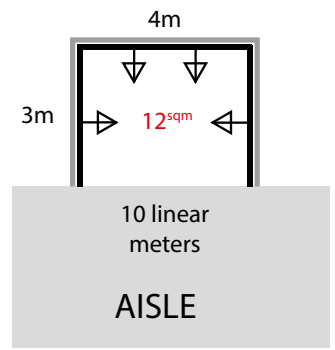
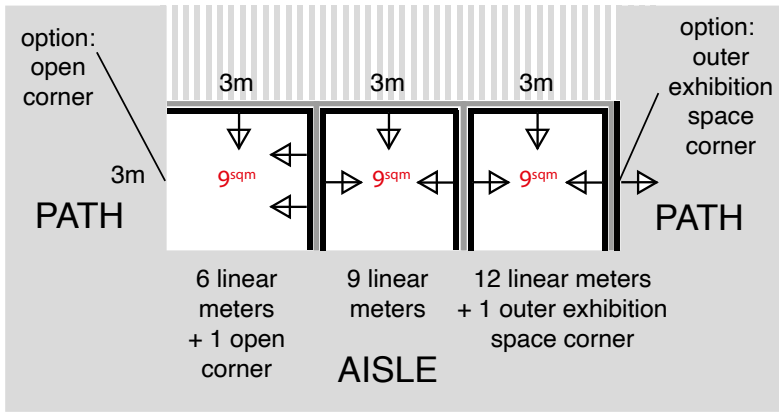
THE CHOICE IS YOURS !



EXAMPLES OF STANDS

Here are some ideas of modules, options and structure of stands. Those are just examples, do not hesitate to draw your stand according to your wishes by using the grid in page 2. Respect nevertheless a minimal depth of 3 meters. Possible surfaces (multiples of 3): 9, 12, 15, 18, 21, 24, 27sqm, etc.

- partitions
- exhibition spaces
- ↑ spotlight



I. GENERAL PRESENTATION**Art. 1. Object of the show**

ART3F (the «Organizer») is organising a contemporary art fair (the «Salon») named after **art3f Brussels** will be held from 20 to 22 november 2026 with a vernissage on Friday from 6pm to 10pm. art3f will be open for general attendance Friday from 4PM, Saturday and Sunday from 10AM.

Any questions relating to the show (conditions of participation, progress, etc.) should be addressed to the Organizer (at the address listed at the top of this document).

Art. 2. Scope - contract documents

These General Terms and Regulations are enforceable against any exhibitor and candidate exhibitor. They are supplemented by the provisions in the exhibitors' application.

The transmission of the application for participation is worth accepting of these General Conditions and Internal Regulations. These General Terms and Regulations may, if necessary, be supplemented by any conditions put in place by the owner of the venue where the show is held.

Art. 3. General provisions

These General Terms apply as of right to the provision of a stand and the sale of works of art, art objects, as part of the show. The Organizer expressly reserves the right to unilaterally change these conditions at any time if circumstances require it and/or in the interest of the Show. In this case, these changes will be specified in a written document provided to exhibitors and will apply immediately and as of right. In the event of a breach of a stipulation of these terms and general conditions, all other stipulations will retain their full strength and scope.

In addition, the purpose of this regulation is also to define the rules for the admission and participation of exhibitors at ART3F show.

Candidate artists and contemporary art galleries receive a participation contract. They may be eligible to participate depending on the program they offer and subject to an available location for that program. Exhibitors agree to respect, without any restriction or restraint, the terms of this regulation and any new provisions that could be imposed by the circumstances and adopted by art3f in the interest of the fair.

Art. 4. Exhibitors

Exhibitors are the artists and professional galleries that officiate in the fields of painting, sculpture, photography, artistic glass, ceramics, publishers of art books, prints, lithographs, in the accepted definitions of original works, the media, the registry of commerce validating the activity. Exhibitors, French or foreign, who have selected a stand will have to respect the nomenclature of the elements allowed to be exhibited by the organizer.

II. TERMS OF PARTICIPATION - FINANCIAL CONDITIONS**Art. 5. Selection**

The applicant is asked to attach a complete file to the participation contract. Only artists nominated in the admissions file and who have been accepted by the selection committee will be able to be exhibited on the stand.

For artists : a Curriculum Vitae (resume), a biography, your artistic career, your latest exhibitions, 5 photos of works indicating your name, the title of the work and the format.

For gallery owners : an information sheet on your gallery, 1 photo of artwork per artist represented.

The Organizing Committee may accept or refuse the exhibitor without relying on a reason. Participation in one or more editions of art3f does not result in automatic admission for the following year.

Art. 6. Booking and settlement

The offer is valid until 31 January 2026. Terms of payment once your application has been validated and accepted by the artistic committee: full payment on receipt of invoice for option 1, 50% on signature and the balance 30 days before the fair for option 2.

The exhibitor will be admitted to the fair after paying the full fee due, and will then be able to take possession of the stand reserved for him.

In case of non-compliance with payment deadlines, any discounts will be cancelled and the entire invoice will be due. Parking fees may be applied depending on the location of the exhibition.

Art. 7. Non-acceptance

If your file is not accepted by the art committee, your registration file and attachments will not be returned to you. The organizer will proceed with the destruction of the data received from an unsuccessful exhibitor.

Art. 8. Cancellation

The balance of the rental amount is due after the application is accepted by the artistic committee. In the event of the exhibitor's withdrawal of membership, the exhibitor will remain liable for the entire location bill.

III. MATERIAL CONDITIONS**Art. 9. Allocation of stands**

The Organizer sets out the plan for the show. It distributes the stands taking into account, as far as possible, the wishes expressed by the exhibitors, the nature of the products and services they showcase, the planned layout of the stands and, if necessary, the date of acceptance of the orders.

The location of the stand assigned to an exhibitor is communicated to the exhibitor purely as an indication by means of a plan. It is up to the exhibitor to ensure that the plan is compliant before the installation of his stand, as the responsibility of the Organizer cannot be engaged in this regard.

Any complaint about the location of a booth must be notified in writing to the Organizer within eight days. After this time, no claims will be taken into account. The Organizer expressly reserves the right to unilaterally change the surface area of a requested or allocated stand within 3% area up or down, as well as the layout of the corresponding areas, without change of price.

He also reserves the right, for organizational, safety, technical or logistical reasons, to relocate an exhibitor's allocated stand, without this giving rise to any compensation or cancellation on the part of the exhibitor.

Art. 10. Occupying the site

The locations will be available for their set up by exhibitors from 9am Friday to Sunday at midnight. Any unoccupied location on Friday by 1 p.m. may be assigned by the organizer to another exhibitor.

The exhibitor who was first attributed the site will not be entitled to compensation. Works arriving after the opening of the event may only be sent to the stands outside of open hours to the public. Locations after the demonstration must be vacated at midnight on Sunday. In case an exhibitor has not removed his goods within the allotted time, the organizer, for the security of the goods, to put those in custody at the fair's authorized carrier, at the expense of the exhibitor. Any additional damage and costs that may occur during this safety will not be the responsibility of the organizer. Each booth must be permanently occupied during the opening hours of the fair, last day included. Exhibitors must leave the sites, sets and equipment that were made available to them, in the state in which they received them.

Art. 11. Site layout

The layout of the stands is carried out according to the general plan drawn up by the Organizer. Any special arrangements must be authorized beforehand and in writing by the Organizer and must be carried out in strict compliance with the requirements of the technical file. Notwithstanding the above, the Organizer expressly reserves itself the right to request alterations or removals of developments that would negatively affect the general appearance of the Show or affect public traffic which would hinder neighbouring exhibitors; same for alterations or removals of developments that do not comply with the plan and model that has previously been submitted to the Organizer; all of this at the exclusive expenses of the exhibitor concerned. The specific decoration of the stands is carried out by the exhibitors under their exclusive responsibility. It must comply with the safety regulations issued by the public authorities as

well as the general decoration plan and signage set out by the Organizer. The use of any sound, light or audio-visual process is prohibited, unless prior and written permission from the Organizer. Finally, the Organizer reserves the right to position an electric box (of varying size and color) in your booth to power the lighting system and move the stand.

Art. 12. Cleaning

Cleaning and permanent maintenance of the floors (traffic, entrance and available areas on the floors) will be taken care of by the care of and be at the expense of the organizer. The exhibitor is responsible for the daily cleaning of his booth. Waste will have to be deposited in the aisles when the Showroom doors are closed - cleaning takes place at night.

Art. 13. Disassembly

The stand will have to be disassembled on Sunday evening from 7pm and released at midnight.

The partitions must be rendered without any support and hanging materials (screws). In case of non-compliance, you will be charged a minimum of 50 euros per partition by a cleaning crew.

IV. MISCELLANEOUS**Art. 14. Sales**

LSales are allowed during the event. However, for security reasons, no one is allowed to leave the hall of the fair with merchandise without an exit voucher describing the goods carried out, this voucher has to be signed by the exhibitor and acknowledged by the organizer.

Mandatory price display.

Mandatory display, in a visible way, on a panel in A3 format and in a character size that cannot be less than size 90, the following sentence: «The consumer does not have a right of retraction for any purchase made on this stand»

Cases of original works of art and objects of antiquity value:

According to Articles 4 and 5 of the December 3, 1987 Decree about the rights of buyers to Price Information and in accordance with the July 19, 1988 letter of application enforcing the provisions of the December 3, 1987 Decree, which provides accommodations for works of art: «Responding to the specifics of these products, it may be permissible to put a discreet label on items exposed to public view or, in art galleries, to consult a list of prices.»

Art.15. Security

All necessary measures will be taken by the organizer to ensure that the guarding of the fair outside the opening hours is effective. It is up to each exhibitor to exercise vigilant control over their own equipment or possessions during public hours, and during the assembly and dismantling of the stands. Exhibitors will be required to allow free access to electrical boxes located on or near their location.

Art. 16. Miscellaneous prohibitions

Unless expressly authorized by the organizer, exhibitors are prohibited:

- to rent all or part of their location free of charge, for payment or exchange of service
- to broadcast music in their booth or to use machines that could annoy other exhibitors.

V. INSURANCE**Art. 17. Insurance**

Apart from covering the risks of mandatory insurance, exhibitors must make sure with their usual company that they are covered for all other risks incurred, in particular theft, degradation of works or exhibition materials. Exhibitors absolve the organizers of any responsibility in the event of fire, explosion, flood, various disturbances, and for any element not attributable to the organizers, agents and attendants. In particular, the organizers cannot be asked for damages in the event that the rented package cannot be effectively used by exhibitors as a result of events of force majeure.

VI. CANCELLATION OF THE SHOW, POSTPONEMENT OF DATES, LIABILITY, TERMINATION**Art. 18. Cancellation of the show or postponement of dates**

In the event of cancellation of the show for reasons beyond the Organizer's control, accepted orders will be maintained as of right and without formalities, excluding any compensation. In the event of cancellation of the show or date lag, for reasons beyond the organizer's control, exhibitors will not be entitled to any refund or compensation.

Art. 19. Limitation of liability

Each exhibitor is solely responsible for complying with the regulations applicable to his activity to the works and objects of art he sells (particularly in relation to all required customs formalities), for his commercial offers, as well as for the accuracy of any information transmitted to the Organizer, especially for the needs of the show's communication material.

It therefore guarantees the Organizer against the consequences of any appeals or claims in this respect. The Organizer's proven liability is expressly limited to the repair of direct property damage, exclusive of any intangible and/or indirect damage, such as, in particular and without limitation, loss of turnover, operating loss, commercial or image damage, etc., subject to all mandatory legal or regulatory provision. In addition, and in all cases where the law permits such a limitation, the overall responsibility of the Organizer in connection with the provision of a stand and/or the sale of communication tools is expressly limited to the sums actually paid by the exhibitor in that capacity.

Art. 20. Termination

Any failure by the exhibitor to comply with any of his obligations under these terms and/or orders and/or registration file will, as of right and without prior notice, result in the immediate termination of the services ordered and the exclusion of the exhibitor from the show. In this case, the exhibitor will not be entitled to any refund and will be liable as a matter of law to the Organizer for compensation equal to 25% of the price of the stand made available to him, as a criminal clause, notwithstanding the allocation of the so-called stand to another exhibitor.

Art. 21. Responsibility of the organisers

1. As the availability of the exhibition centres may change according to their calendar, this date may be changed, although this is exceptional and will not lead to cancellation of the contract or payment of compensation. The Organizer reserves the right to postpone the date of the Event for any reason it deems necessary, without giving rise to any claim for compensation or termination. Likewise, the opening hours may be adjusted without financial compensation.

2. Furthermore, in case of force majeure (transportation strike, viruses, epidemics, pandemics, natural disasters...) the organizers can postpone the fair, change its opening hours, exclude the public. They can cancel or close it before the scheduled date. In all cases, contracts with exhibitors remain valid and payment for booth rentals and other services is due. In addition, the organizer is free of reimbursement of any ancillary expenses (hotel, transport, etc.).

VII. APPLICABLE LAW, ATTRIBUTION OF JURISDICTION**Art. 22. Claims**

Exhibitors' claims must be submitted, for the purpose of an amicable settlement, to the organizer by registered letter with acknowledgement of receipt within 15 days of the closing of the fair. After this period, claims will no longer be admissible. Any dispute will fall exclusively within the jurisdiction of the Mulhouse courts and will be subject to French law. For the interpretation of the regulation, only French text is authoritative.